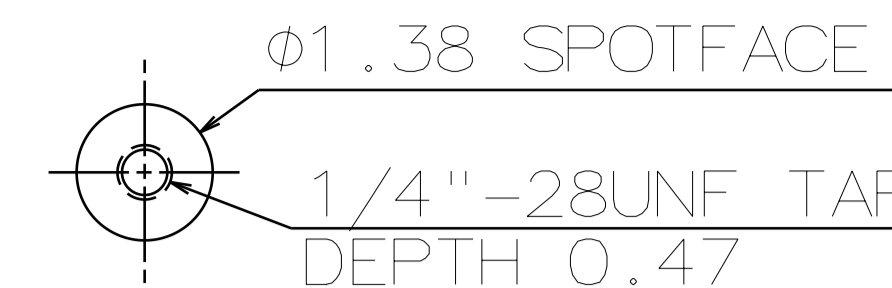


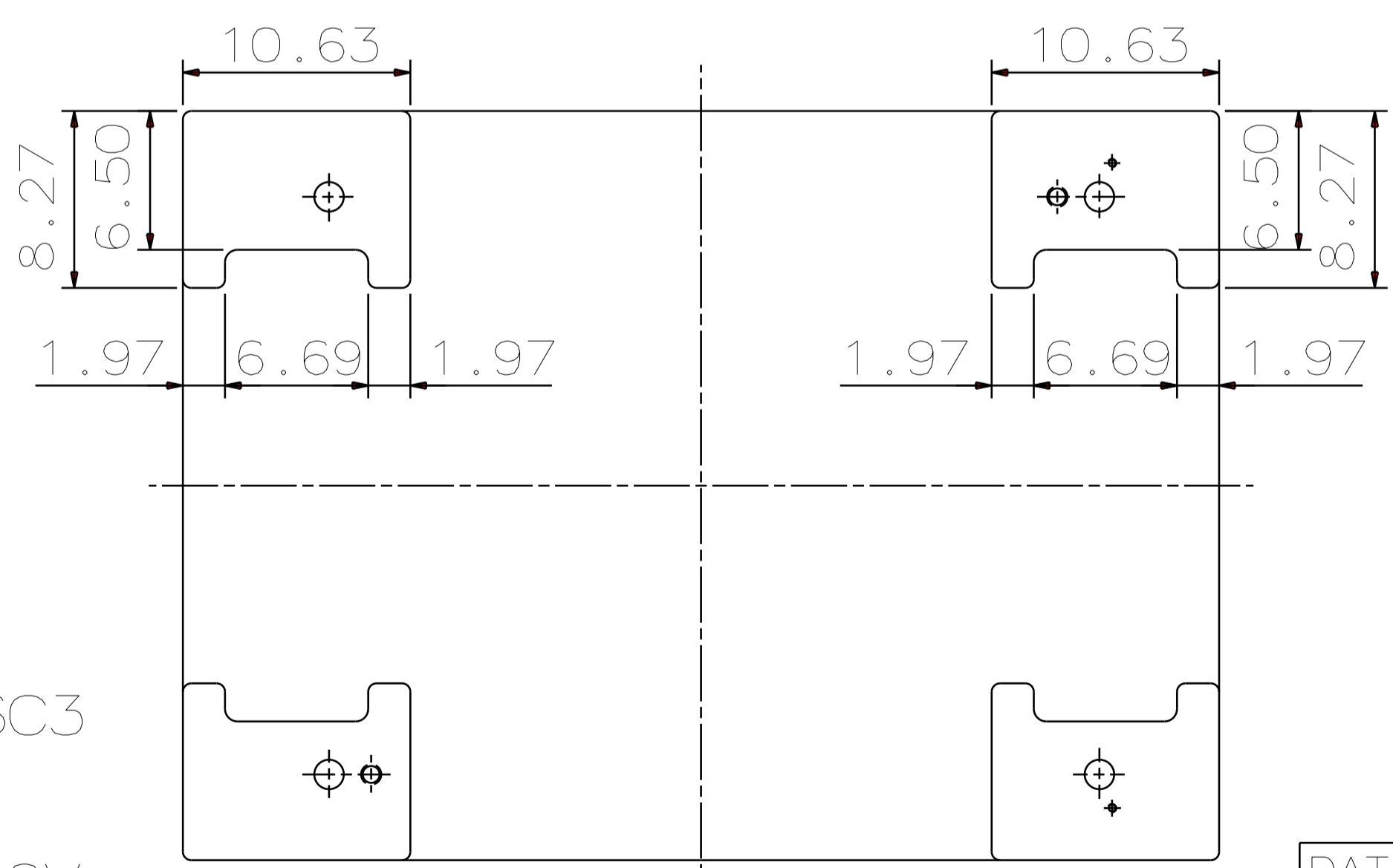
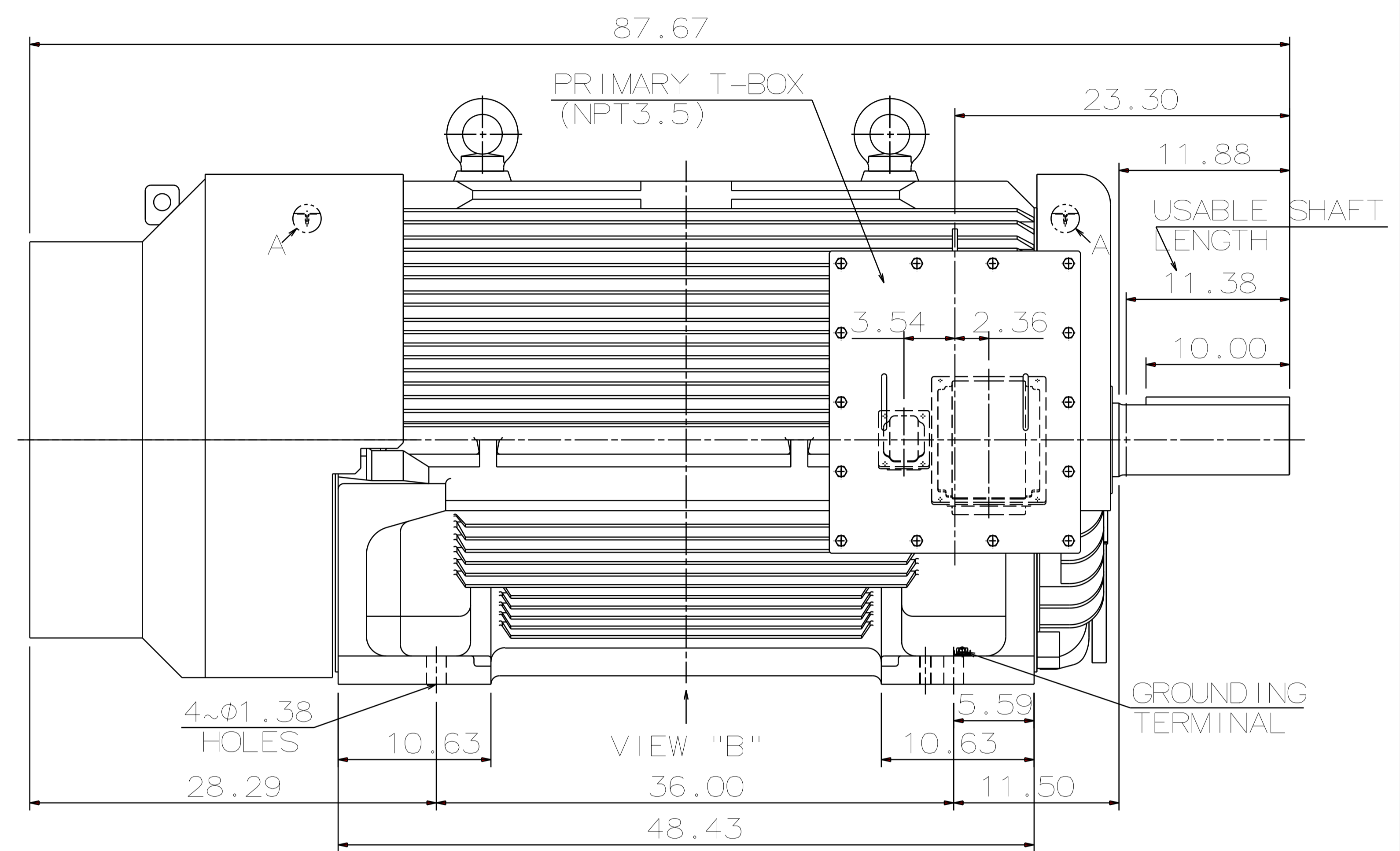
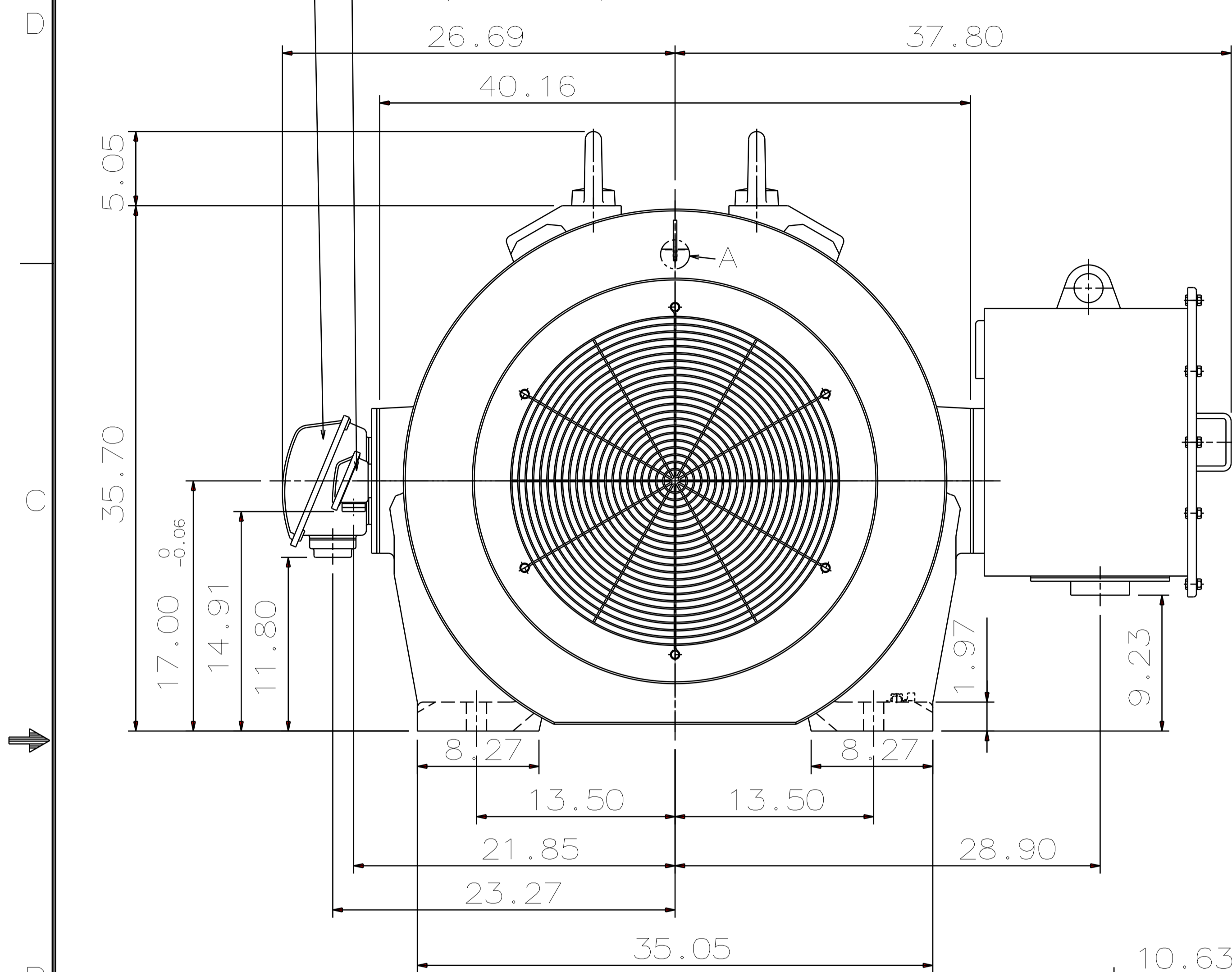
TYPE	OUTPUT		POLE	TIME RATING	VOLTAGE V	Hz	SYN. SPEED R.P.M
	HP.	kW.					
AEHAGD	800	596.5	6	CONT.	2300/4000	60	1200

TOTALLY ENCLOSED FAN-COOLED TYPE, SQUIRREL-CAGE ROTOR

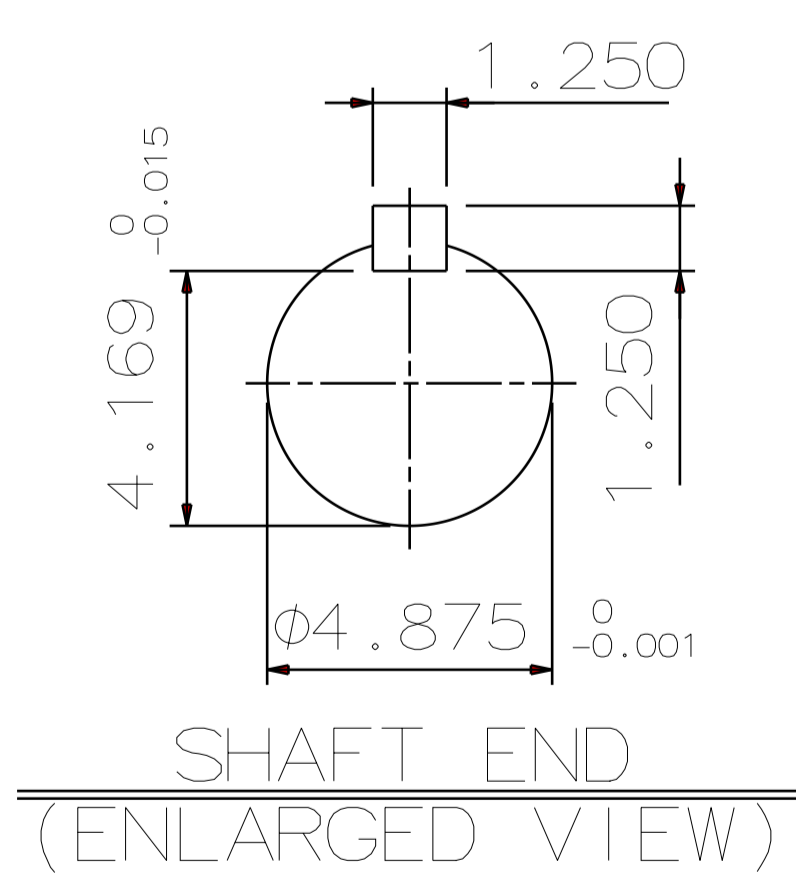


DETAIL A

(PROVISION FOR VIBRATION SENSOR)



VIEW "B"



- NOTE:
- DIMENSIONS IN inch
 - FRAME NO. 6808C
 - F CLASS INSULATION, S.F.1.15
 - FOR BELT DRIVE
 - ENCLOSURE: IP55
 - BEARING SIZE: DRIVE-END NU326C3
OPP. DRIVE-END 6322
 - WITH WINDING RTD: PT 100Ω/0°C 6PCS
 - WITH SPACE HEATER: SINGLE PHASE, 120V
 - PROVISION FOR BEARING RTD MOUNTING: 2~PT1/2" TAPS PER BRACKET
 - NON-SPARKING FAN
 - CORROSION PROOF
 - APPROXIMATE WEIGHT: 8,955 LBS

DATE	DEC 08 2016	OUTLINE DIMENSIONS	
	KD8006R	3-PHASE INDUCTION MOTOR	
DWN.	J. CHANG	JUN.03.2015	
CHKD.	H. HUANG	JUN.03.2015	
APPD.	C. LIU	JUN.03.2015	
TEC Westinghouse		DWG NO.	REV:00
		4B040L400	